

PRO-SERIES

Slide Shower - 3 Function

VPRS041

Congratulations on your purchase of this high quality product from Voda Plumbingware. Please read the following before installation and retain (along with your receipt) for future reference.

TECHNICAL SPECIFICATIONS

Suitable for Mains Pressure Only

Minimum Pressure = 150kPa

Maximum operating Pressure = 500kPa* (As per NZ Building Code AS/NZ 3500.1)

Maximum operating Temperature = 65 deg. Celsius

For domestic use only.

CONFIGURATION

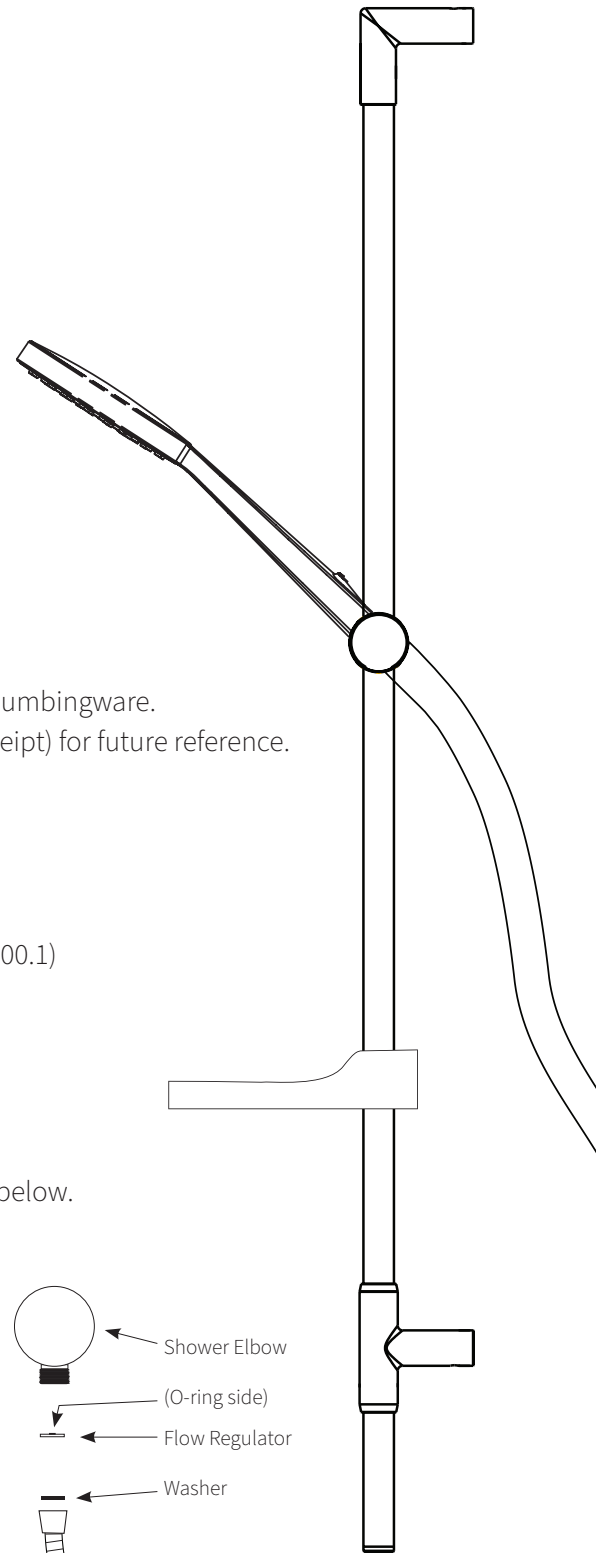
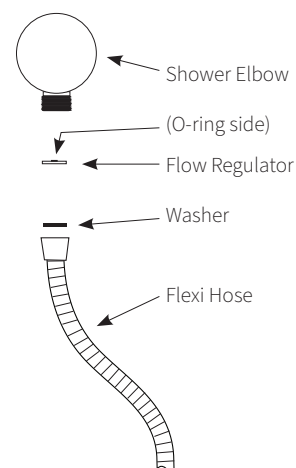
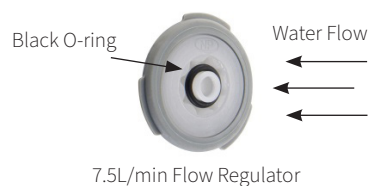
Mains Pressure systems Install the flow regulator as shown in the diagram below.

Unequal Low systems Not suitable for this water pressure.

Equal Low systems Not suitable for this water pressure.

CONTENTS

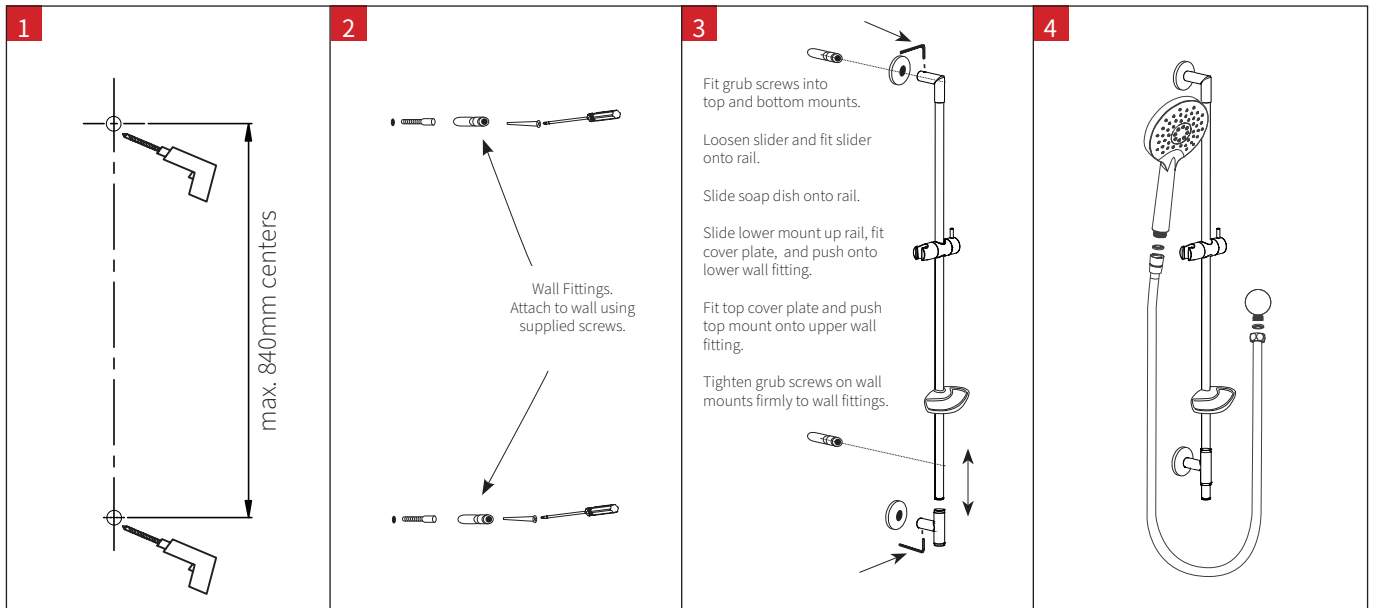
- 2x Wall mounts/2x cover plates
- Screws
- Slide bar with adjuster/holder
- Soap dish
- 3 Function Handpiece
- 1.5m shower hose
- Supply elbow



INSTALLATION

***FOR PRESSURES EXCEEDING 500kPa INSTALL A PRESSURE REDUCING VALVE. THOROUGHLY FLUSH ALL PIPES TO ELIMINATE ANY REMAINING DIRT AND RESIDUE, AND INSTALL INLINE FILTERS. FAILURE TO DO SO MAY VOID THE WARRANTY. TO BE INSTALLED AS PER THE REQUIREMENTS WITH AS/NZS 3500.**

ATTACH PROOF OF PURCHASE HERE



CAUTION: If using your own screws to install the wall brackets, DO NOT use counter sunk type screws as this will void the warranty.

- Refer diagram steps 1-4, see fittings packs for 2x mounting trim plates, 1x slider, 2x wall fittings, 2x wall anchors, and 2x screws.
- When fitting soap dish, ensure internal sleeve is pushed fully into soap dish. For ease of fitment, use a small amount of liquid soap on the rail when sliding onto rail.
- Lower wall mount can slide up and down rail depending on wall fixing requirements, recommended maximum 840mm centers between mounts.
- Attach the conical end of the hose fitted with rubber o-ring to the handpiece, and insert into slider mount.
- Attach the supply elbow to the supply connection on the wall, attach hose to supply elbow with flow regulator fitted into end of hose if on mains pressure.
- Turn on water supply. Check for leaks.

WARRANTY

PLEASE CALL US BEFORE REMOVING SHOWER OR UNDERTAKING ANY REPAIR WORK.

Please refer to our website for warranty information: www.vodaplumbingware.co.nz/warranty

In the unlikely event that this product fails during its warranty period, phone our Customer Service team immediately on 0508 367 366 – as unauthorised removal of the product may void the warranty.

CARE AND MAINTENANCE

SHOULD NOT BE CLEANED WITH ACIDIC, CAUSTIC/ALKALINE, ABRASIVE OR CITRIC CLEANERS.

A soft, damp cloth is recommended for cleaning (Not a Micro fibre cloth). Mild soap solutions can also be used on occasion. See website for full care instructions: www.vodaplumbingware.co.nz/tapware-care-instructions/